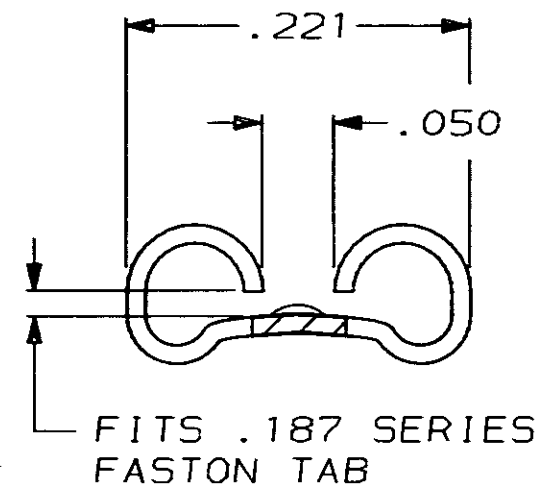
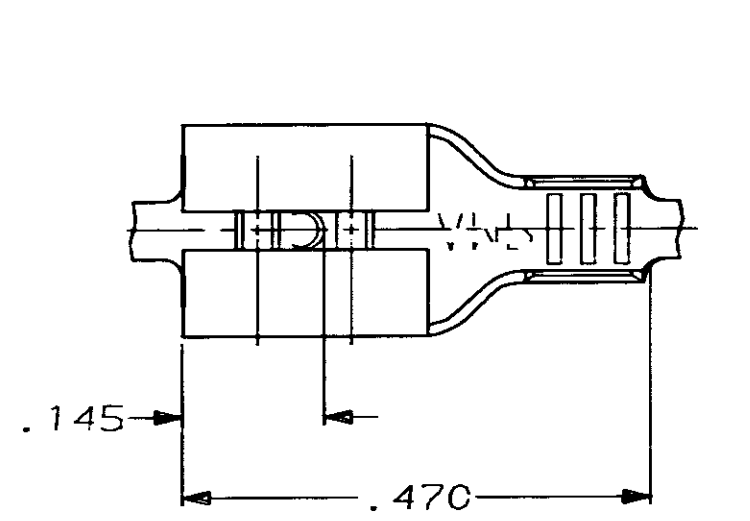
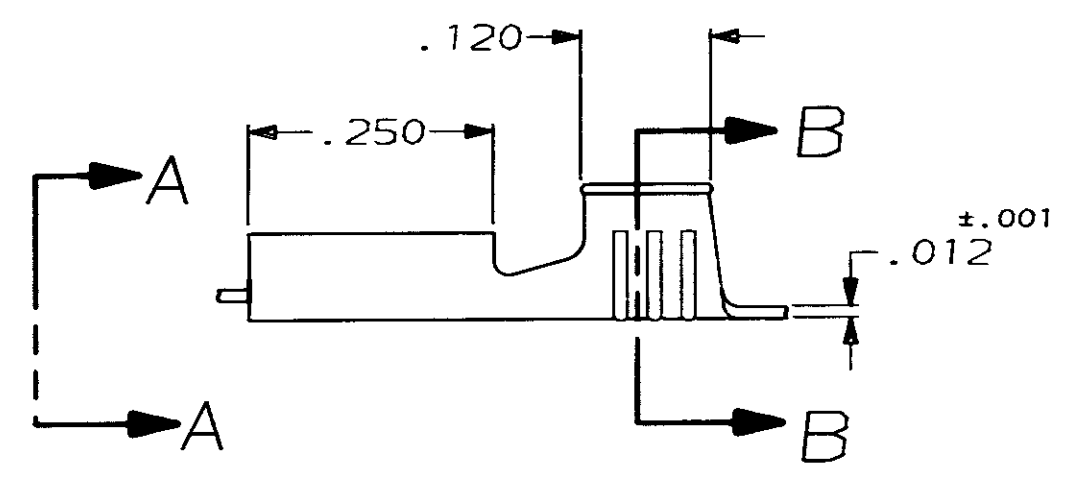


THIS DRAWING IS UNPUBLISHED. RELEASED FOR PUBLICATION, 19 .
 © COPYRIGHT 19 BY AMP INCORPORATED. ALL INTERNATIONAL RIGHTS RESERVED.

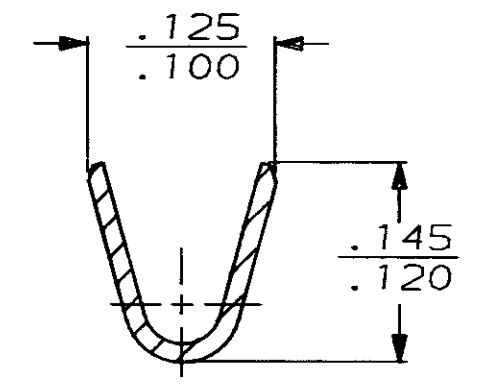
LOC	DIST	P	F	ZONE	LTR	REVISIONS	DATE	APPD
AF	50				K	REDRAWN & SEP FROM 42373	7/14/89	JR/CM



1 CONTINUOUS STRIP ON REELS



VIEW A-A
SCALE 8:1



SECTION B-B
SCALE 8:1

OBSOLETE

TIN	#4H BRASS	20-16	.015	42374-2
-	#4H BRASS	20-16	.015	42374-1
FINISH	MATERIAL	WIRE SIZE	MATING TAB THK ±.001	PART NO

STRIP LENGTH ±.015	TYPE	WIDTH	±.002 HEIGHT	WIRE
.188	F	.090	.060	16
			.053	18
			.049	20
WIRE BARREL CRIMP				

DO NOT SCALE PRINT. UNLESS SPECIFIED DIMENSIONS IN INCHES	DR 7/14/89 JR RUTH
TOLERANCES ON:	CHK 7/14/89 MS FEHER
2 PLC DEC ± -	APPD 7/14/89 C MEYERS
3 PLC DEC ± .015	APPD 7/14/89 R KUZZO
ANGLES ± -	PRODUCT SPEC -
MATERIAL SEE TABLE	APPLICATION SPEC -
FINISH SEE TABLE	WEIGHT -

AMP AMP INCORPORATED Harrisburg, Pa. 17105		
NAME RECEPTACLE, FASTON,™ .187 SERIES		
SIZE B	CAGE CODE 00779	DRAWING NO 42374
SCALE 5:1	SHEET 1 OF 1	